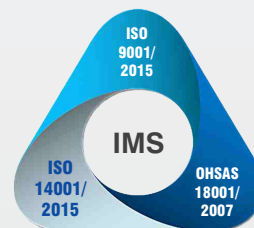


Kakati™

Vacuum Pumps & Systems

50+
Years of
Expertise
Estd.1965



KVT-Series Liquid Ring Vacuum Pumps and Compressors

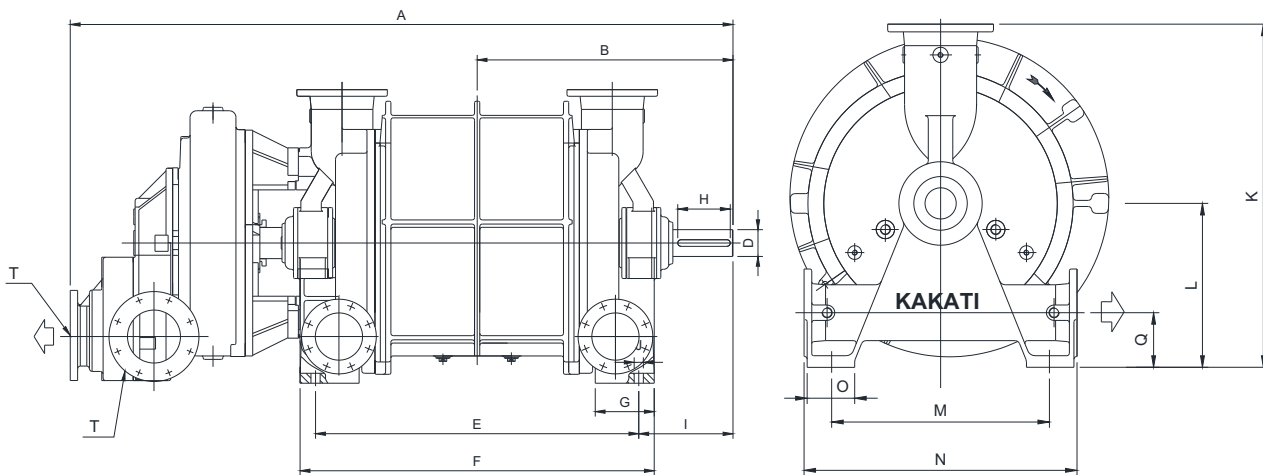


Kakati KVT two stage Liquid Ring Vacuum Pumps.

Two stage liquid ring vacuum pumps used primarily in evaporation and turbine condenser vacuum applications. Owing to its very sturdy and unique design these pump can be run for very long periods between overhauls.

Basic specification

Vacuum range	Up to 740 mmHg
Differential pressure capability	1 bar
Capacity	Upto 5000 m ³ /hr
Standard construction material	Cast iron, Stainless Steel



MODEL	A	B	D	E	F	G	H	I	J	K	L	M	N	O	Q	S	T	PIPING
KV 300T	1778	645	70	628	714	120	110	331	22	655	300	420	500	95	170	5"	5"	1"
KV 600T	2200	851	92	1045	1160	203	150	328	35	914	432	622	750	127	213	6"	6"	1"
KV 900T	2525	975	101.6	1232	1350	225	200	359	35	1118	534	710	870	155	178	8"	8"	1"

Note : All dimensions are in 'mm' & subject to change without notice.



KAKATI KARSHAK INDUSTRIES PRIVATE LIMITED

Manufacturers of Liquid Ring Vacuum Pumps and Systems

Plot No. P-4/1, Road No.1, Nacharam Industrial Area, Hyderabad - 500 076. Telangana, INDIA.

Ph: +91 - 40 - 27153104/05, 27174522/74, 27171298, 27172704, Fax : +91 - 40 - 27171980,

marketing@kakatipumps.com, info@kakatipumps.com

www.kakatipumps.com

www.kakatikarshak.com